

MARKBÄDD PÅ BURK

ECOROCK-2000

CAPACITY UP TO 10 PE

1	Water inlet
2	Water outlet
3	Air inlet
4	Overflow Alarm

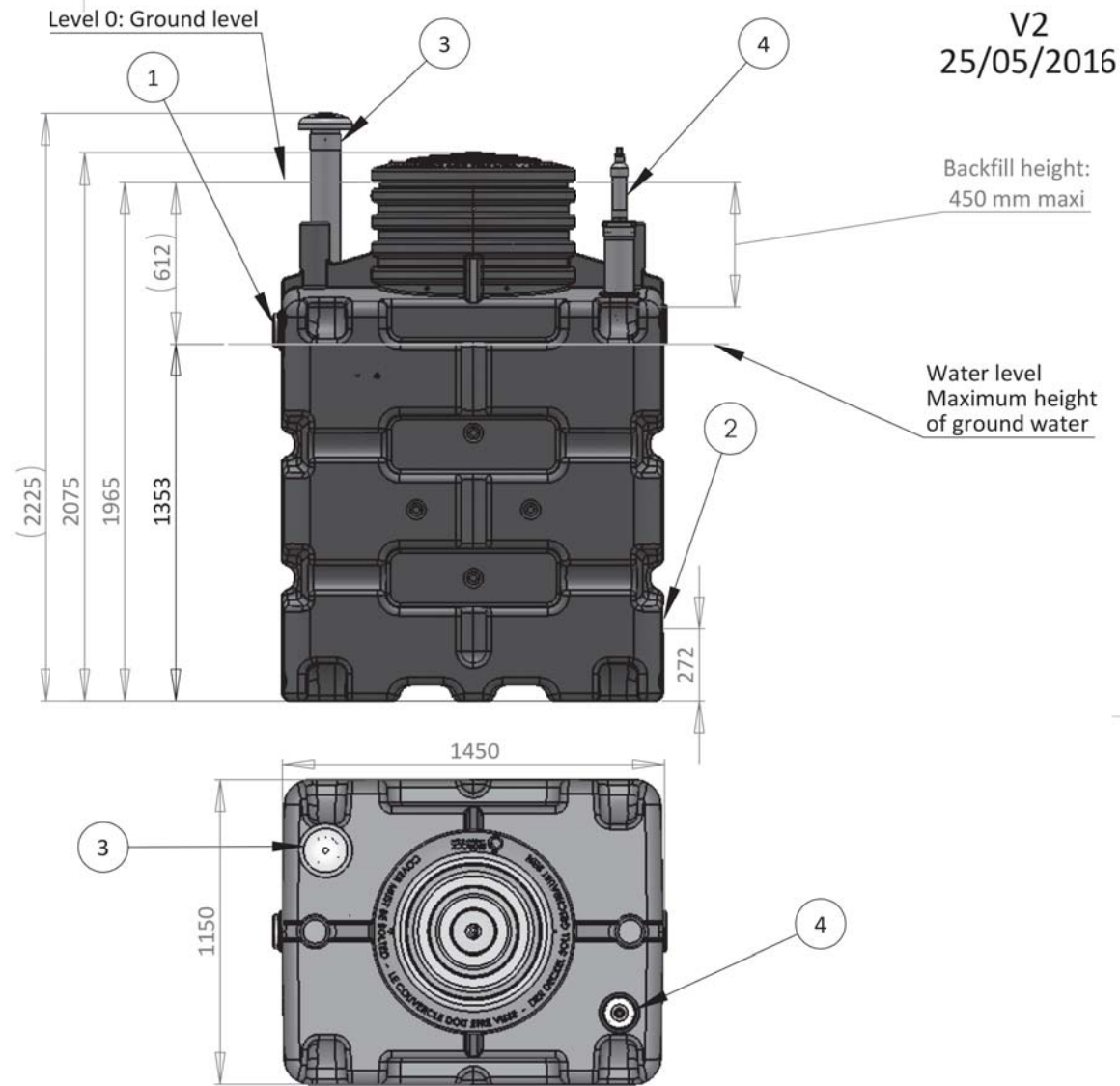
Characteristics	Value	Unit
ECOROCK-2000 Treatment Unit		
Minimum volume of pre-treatment*	500	liters/PE
Capacity in population equivalent	10	PE
Daily volume of wastewater**	150	liters/day/PE
Daily hydraulic load	1.5	m ³ /day
Organic load per PE	60	gr.BOD ₅ /PE/day
Organic load raw effluent up to	0.6	kg BOD ₅ /day

Specification	Value	Unit
Tank Volume	2000	Liters
Overall length	1450	mm
Overall width	1150	mm
Total height of the tank	2075	mm
Overall height (+ventilation pipe)	2225	mm
Total weight (without water)	241	Kg
Pipe diameter	110	mm

This treatment unit can be installed in high ground water table.

*minimum 2000 liters of pre-treatment

**according to DIN EN 12566-3



V2
25/05/2016

Service :			
ORIGINATOR			
NAME	SIGNATURE	DATE	
AUTHOR	AQ	12/05/2016	
APPROV.			
CHANGES			
NAME	SIGNATURE	DATE	
AUTHOR	AQ	12/05/2016	
APPROV.			
CHANGES			
AUTHOR			
APPROV.			

4evergreen

**MARKBÄDD PÅ BURK
ECOROCK-2000**

TITLE:

Nb. of PLAN

UT-X2000

A3

Overall tolerance: 3%

SCALE:1:20