

MARKBÄDD PÅ BURK

ECOROCK-3000

CAPACITY UP TO 15 PE

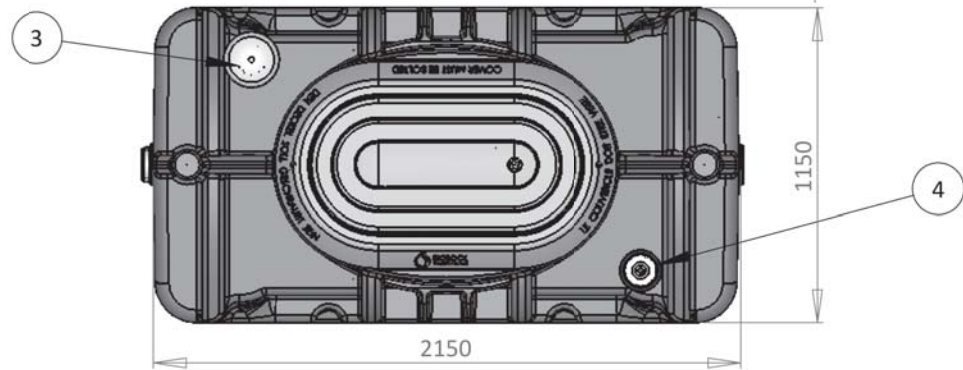
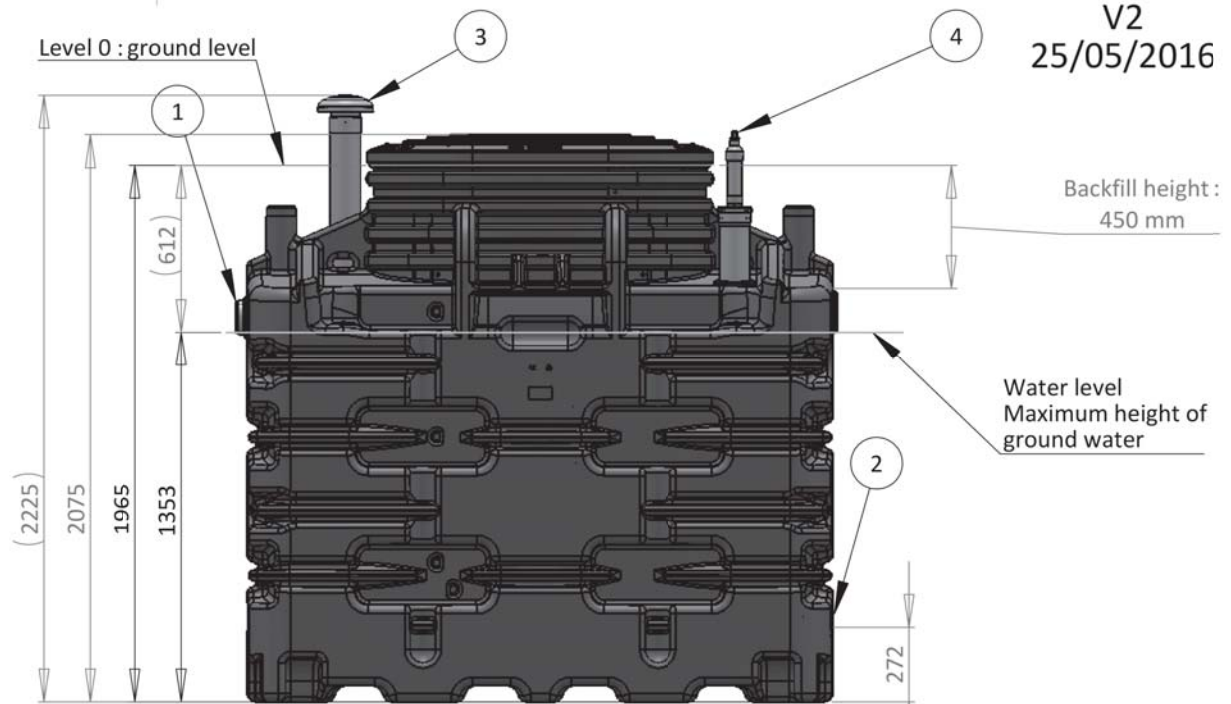
1	Water inlet
2	Water outlet
3	Air inlet
4	Overflow Alarm

Characteristics	Value	Unit
ECOROCK-3000 Treatment Unit		
Minimum volume of pre-treatment*	500	liters/PE
Capacity in population equivalent	15	PE
Daily volume of wastewater **	150	liters/day/PE
Daily hydraulic load	2.25	m ³ /day
Organic load per PE	60	gr.BOD ₅ /PE/day
Organic load raw effluent up to	0.9	kg BOD ₅ /day
Specification	Value	Unit
Volume tank	3000	Liters
Overall length	2150	mm
Overall width	1150	mm
Total height of the tank	2075	mm
Overall height (+ventilation pipe)	2225	mm
Total weight (without water)	200	Kg
Pipe diameter	110	mm

This treatment unit can be installed in high ground water table.

*minimum 2000 liters of pre-treatment

**according to DIN EN 12566-3



Overall tolerance : 3%

V2
25/05/2016

Service :				<h1>4evergreen</h1> <h2>MARKBÄDD PÅ BURK ECOROCK-3000</h2>
ORIGINATOR				
AUTHOR	NAME	SIGNATURE	DATE	
APPROV.	TC		29/04/2016	
CHANGES				TITLE:
AUTHOR	NAME	SIGNATURE	DATE	Nb. of PLAN UT-X3000.2
APPROV.	AQ		25/05/2016	
CHANGES				SCALE:1:20
AUTHOR				A3
APPROV.				