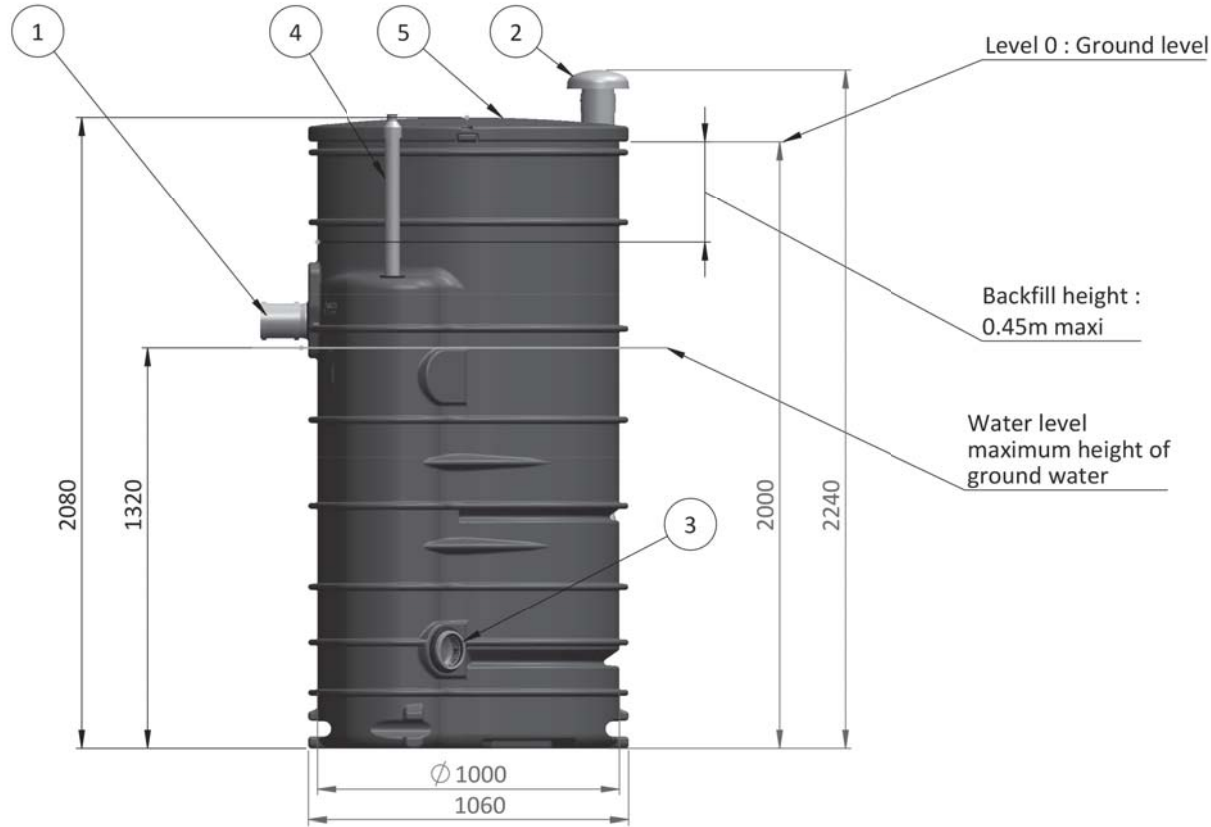


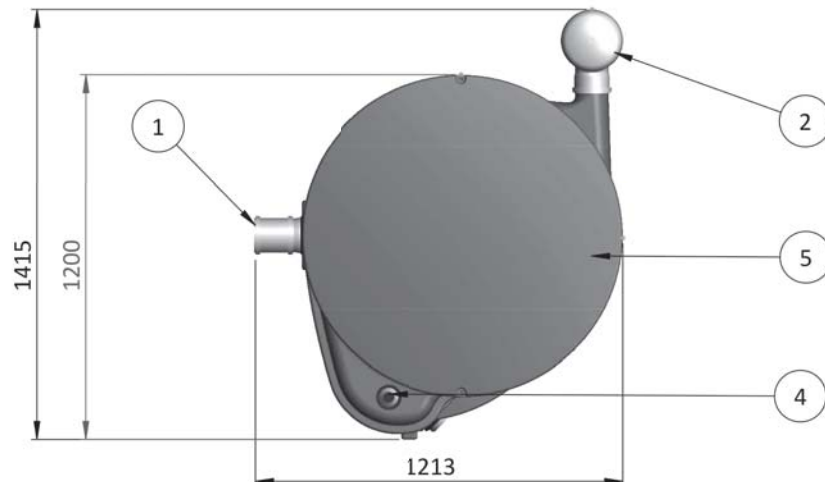
MARKBÄDD PÅ BURK

ECOROCK-900 CAPACITY UP TO 6 PE



1	Effluents inlet + Air outlet
2	Air inlet
3	Water outlet
4	Overflow alarm
5	Treatment access

CARACTERISTICS	VALUE	UNIT
Capacity in Population Equivalent	up to 6	PE
TREATMENT UNIT	VALUE	UNIT
Minimum volume of pre-treatment	2000	Liters
Treatment volume	1500	Liters
Daily volume of wastewater	150	Liters/day/PE
Daily hydraulic load	0.9	m ³ /day
Organic load per PE	60	gr.DBO5/PE/day
Organic load raw effluent up to	up to 0.36	kg DBO5/day
SPECIFICATION	VALUE	UNIT
Overall length	1213	mm
Overall width	1415	mm
Overall height	2240	mm
Secondary treatment area	0.6362	m ²
Total weight (without water)	163.5	Kg
Pipe diameters	110	mm



This product can be installed in high ground water.

Tolérance : 3%

Service :				<h1>4evergreen</h1> <h2>MARKBÄDD PÅ BURK ECOROCK-900</h2>
CREATION				
NOM	SIGNATURE	DATE		
AUTEUR: EM		27/02/2017		
VERIF.				
MODIFICATION				TITRE:
NOM	SIGNATURE	DATE		No. DE PLAN UT-Y1500 UNI
AUTEUR:				
VERIF.				
MODIFICATION				A3
AUTEUR:				
VERIF.				
Echelle: 1:10				