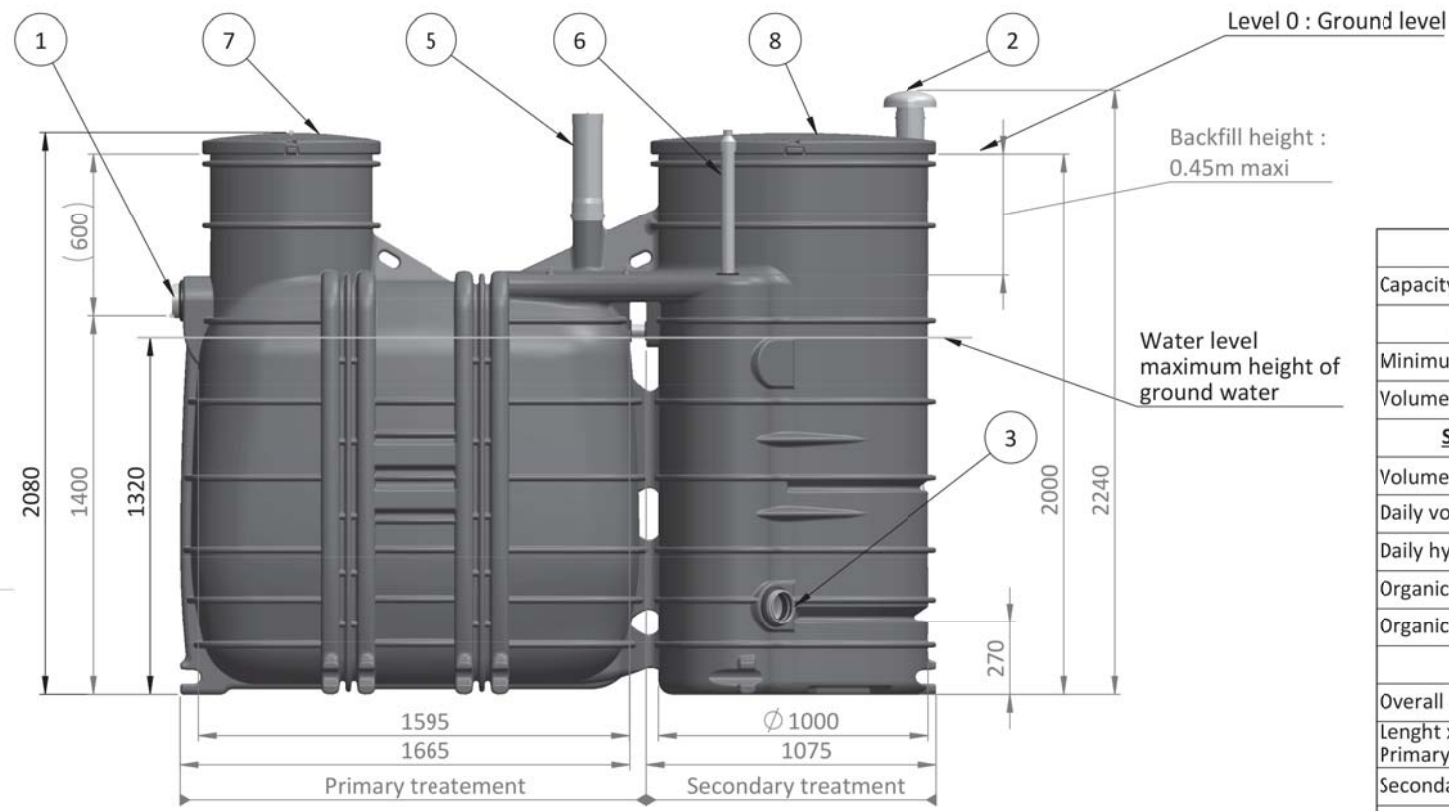


MARKBÄDD PÅ BURK

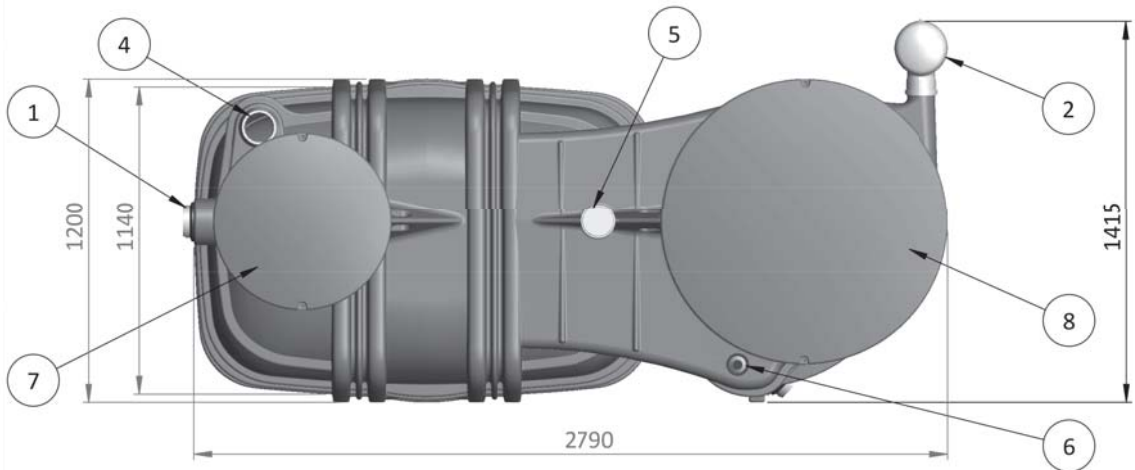
MONOBLOCK-2-900

CAPACITY UP TO 6 PE

1	Water inlet
2	Air inlet
3	Water outlet
4	Air outlet
5	Access to effluent filter
6	Overflow alarm
7	Access to Primary treatment
8	Access to Secondary treatment



CHARACTERISTICS	VALUE	UNIT
Capacity in Population Equivalent	up to 6	PE
PRIMARY TREATMENT		
Minimum volume of pre-treatment	2000	Liters
Volume per PE	330	Liters
SECONDARY TREATMENT		
Volume	1500	Liters
Daily volume of wastewater**	150	liters/day/PE
Daily hydraulic load	0.9	m ³ /day
Organic load per PE	60	gr.DBO5/PE/day
Organic load raw effluent up to	0.36	kg DBO5/day
SPECIFICATION		
Overall length	2790	mm
Length x Width	1595 x 1140	mm
Secondary treatment area	0.6362	m ²
Overall width	1415	mm
Overall height + ventilation	2240	mm
Total weight (without water)	380	Kg
Pipe diameters	110	mm



This product can be installed in high ground water.

Overall tolerance : 3%

** according to DIN EN 12566-3

Service :			
ORIGINATOR			
NAME	SIGNATURE	DATE	
AUTHOR: AQ		26/10/2016	
APPROV.			
CHANGES			
NAME	SIGNATURE	DATE	
AUTHOR:			
APPROV.			
CHANGES			
AUTHOR:			
APPROV.			

4evergreen

TITLE: **MARKBÄDD PÅ BURK MONOBLOCK-2-900**

Nb. of PLAN: **CM-Y2000**

SCALE: 1:20

A3