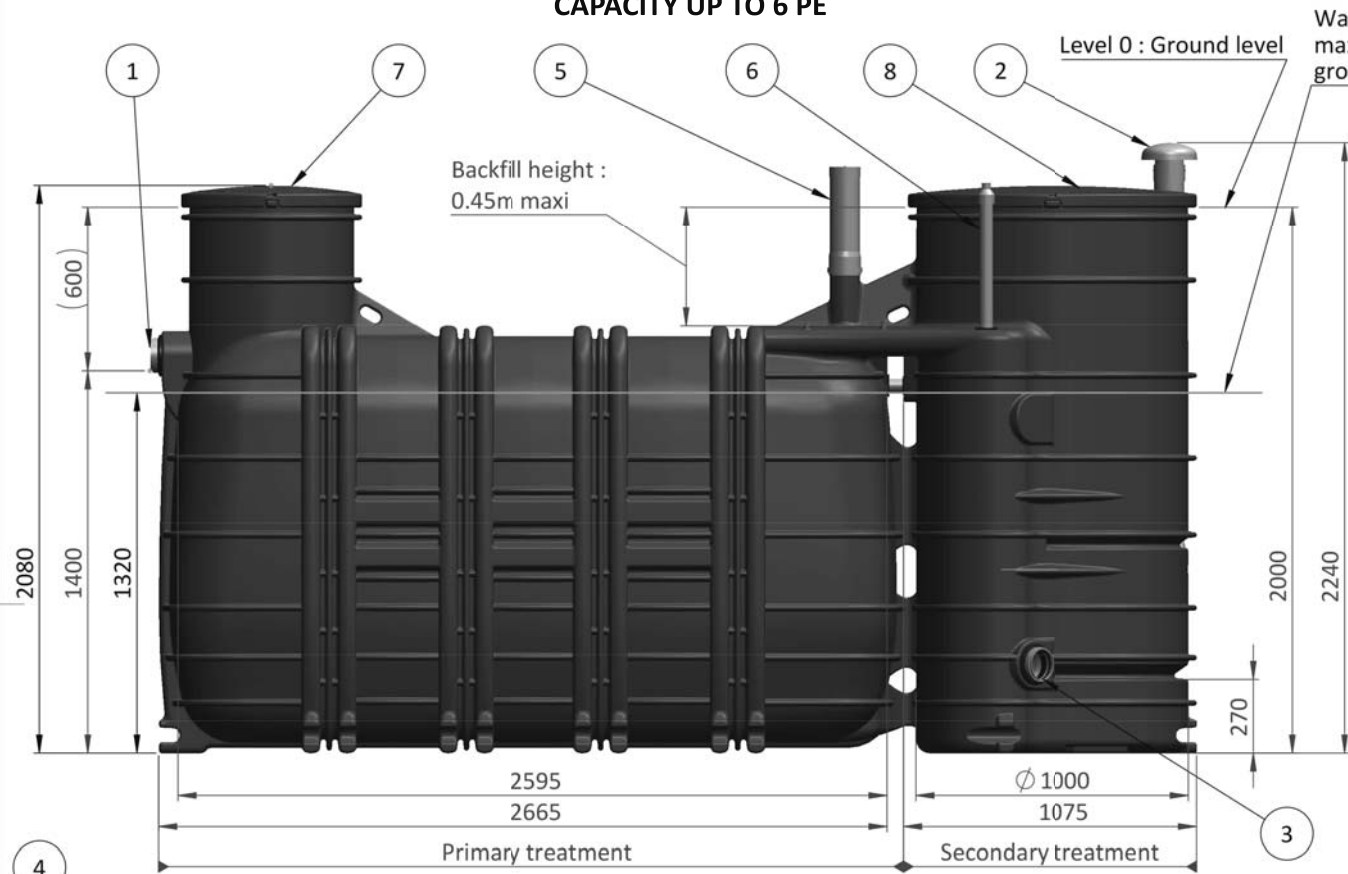


# MARKBÄDD PÅ BURK

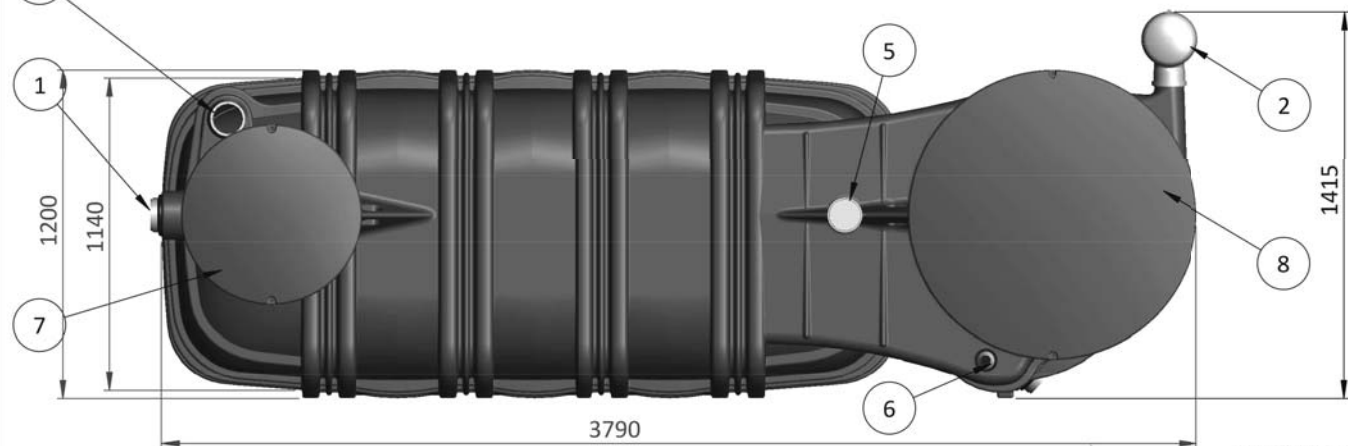
## MONOBLOCK-3-900

CAPACITY UP TO 6 PE

1	Water inlet
2	Air inlet
3	Water outlet
4	Air outlet
5	Access to effluent filter
6	Overflow alarm
7	Access to primary treatment
8	Access to secondary treatment



CHARACTERISTICS	VALUE	UNIT
Capacity in Population Equivalent	up to 6	PE
<b>PRIMARY TREATMENT</b>		
Minimum volume of pre-treatment	3000	Liters
Volume per PE	500	Liters
<b>SECONDARY TREATMENT</b>		
Volume	1500	Liters
Daily volume of wastewater	150	liters/day/PE
Daily hydraulic load	0.9	m <sup>3</sup> /day
Organic load per PE	60	gr.DBO5/PE/day
Organic load raw effluent up to	0.36	kg DBO5/day
<b>SPECIFICATION</b>		
Overall length	3790	mm
Length x Width Primary treatment:	2595 x 1140	mm
Secondary treatment area	0.6362	m <sup>2</sup>
Overall width	1415	mm
Overall height + ventilation	2240	mm
Total weight (withoutwater)	474	Kg
Pipe diameters	110	mm



This product can be installed in high ground water.

Service :

ORIGINATOR			
NAME	SIGNATURE	DATE	
AUTHOR: AQ		07/11/2016	
APPROV.			
CHANGES			
NAME	SIGNATURE	DATE	
AUTHOR			
APPROV.			
CHANGES			
AUTHOR			
APPROV.			

TITLE: **4evergreen**  
**MARKBÄDD PÅ BURK MONOBLOCK-3-900**

Nb. of PLAN: **CM-Y3000**

SCALE: 1:20

Overall tolerance : 3%